

## Single-phase capacitors: 230 V, 60 Hz, MKP

Type	Power kVAR	Capacitance ( $\mu$ F)	Current $I_n$ (A)	Weight (kg)	Dimensions D x H (mm)
MKP0.6/2301P6	0.6	30.1	2.6	0.5	85 x 100
MKP1/2301P6	1	50.2	4.3	0.6	85 x 100
MKP1.5/2301P6	1.5	75.2	6.5	0.6	85 x 100
MKP1.67/2301P6	1.67	83.7	7.3	0.6	85 x 100
MKP2/2301P6	2	100	8.7	0.7	85 x 100
MKP2.5/2301P6	2.5	125	10.9	0.7	85 x 100
MKP3/2301P6	3	151	13.0	0.7	85 x 100
MKP3.3/2301P6	3.3	166	14.3	0.7	85 x 100
MKP4/2301P6	4	201	17.4	0.9	85 x 175
MKP5/2301P6	5	251	21.7	0.9	85 x 175
MKP7.5/2301P6	7.5	376	32.6	1.2	85 x 245

### Technical Data

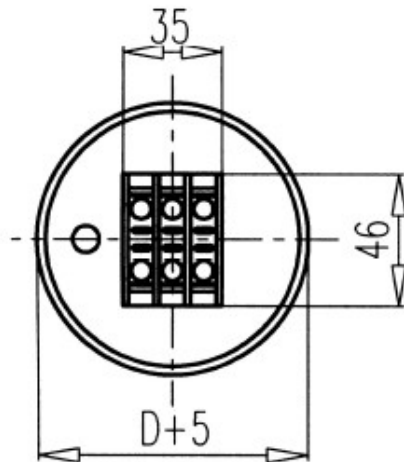
Temperature category: **-40/D**

Discharge resistors: **50 V/1 min**

Insulation level: **3 / - kV**

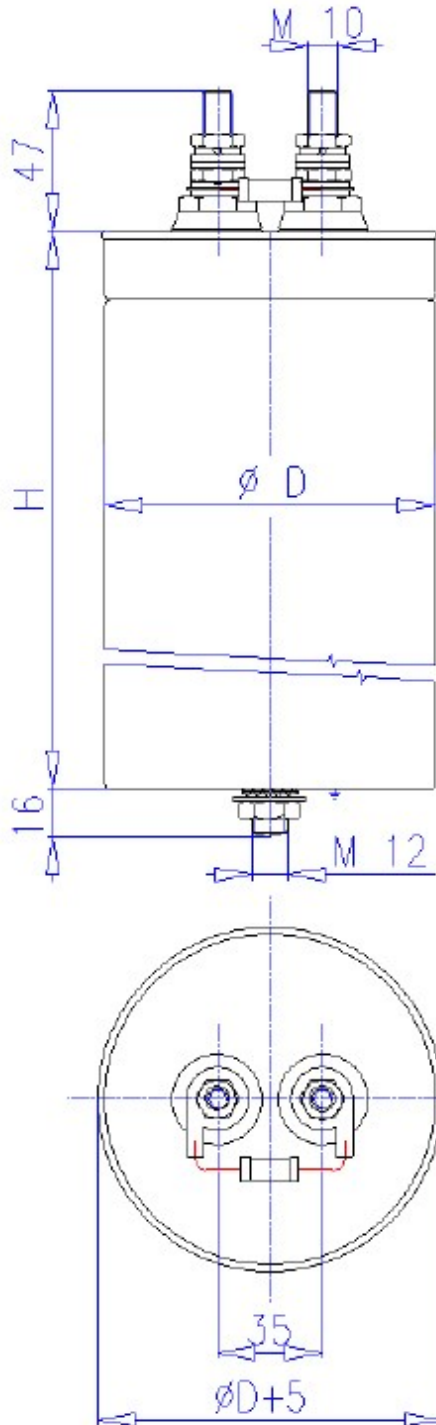
Design: **SH— Dry type N<sub>2r</sub>, non PCB**

Standard: **IEC 60831/96**



 **Cos Phi**

151 Richmond St. S.W. PO Box 519 Hensall, Ontario, N0M 1X0, Canada  
Ph: 519-262-2822, Fax: 519-262-2310, email: info@cosphi.com



## Single-phase capacitors: 230 V, 60 Hz, MKP

Type	Power kVAR	Capacitance ( $\mu F$ )	Current $I_n$ (A)	Weight (kg)	Dimensions D x H (mm)
MKP10/2301P6	10	502	43.5	2.9	110 x 261
MKP12.5/2301P6	12.5	627	54.3	2.9	110 x 261

### Technical Data

Temperature category: -25/D

Discharge resistors: 75V/3 min

Insulation level: 3 / - kV

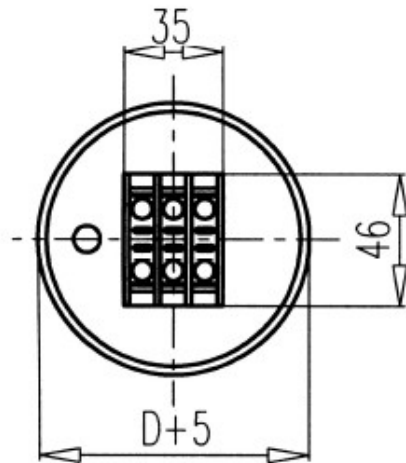
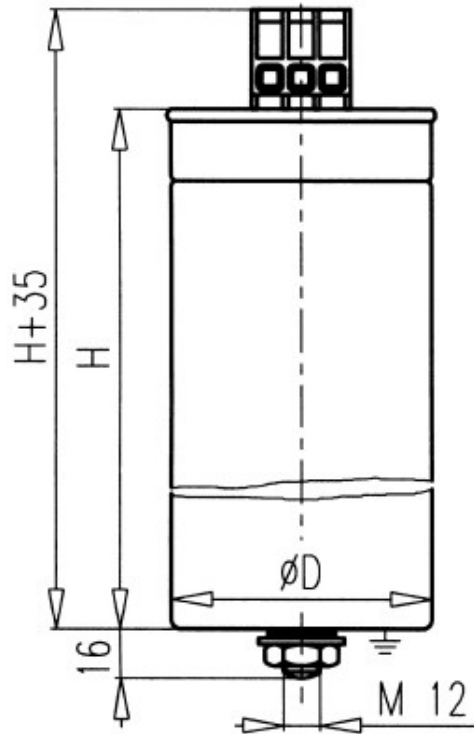
Design: SH— Dry Soft Resin, non PCB

Standard: IEC 60831/96



151 Richmond St. S.W. PO Box 519 Hensall, Ontario, N0M 1X0, Canada  
Ph: 519-262-2822, Fax: 519-262-2310, email: info@cosphi.com

## Three-phase capacitors: 230 V, 60 Hz, MKP



Type	Power kVAR	Capacitance ( $\mu F$ )	Current $I_n$ (A)	Weight (kg)	Dimensions D x H (mm)
MKP0.6/230D6	0.6	3 x 10.0	3 x 1.5	0.5	85 x 175
MKP1/230D6	1	3 x 16.7	3 x 2.5	0.6	85 x 175
MKP1.5/230D6	1.5	3 x 25.1	3 x 3.8	0.7	85 x 175
MKP1.67/230D6	1.67	3 x 27.9	3 x 4.2	0.7	85 x 175
MKP2/230D6	2	3 x 33.4	3 x 5.0	0.7	85 x 175
MKP2.5/230D6	2.5	3 x 41.8	3 x 6.3	0.7	85 x 175
MKP3/230D6	3	3 x 50.2	3 x 7.5	0.9	85 x 245
MKP3.3/230D6	3.3	3 x 55.2	3 x 8.3	0.9	85 x 245
MKP4/230D6	4	3 x 66.9	3 x 10.0	1.0	85 x 245
MKP5/230D6	5	3 x 83.6	3 x 12.6	1.1	85 x 245
MKP6.25/230D6	6.25	3 x 105	3 x 15.7	1.2	85 x 245
MKP6.5/230D6	6.5	3 x 109	3 x 16.3	1.2	85 x 245
MKP7.5/230D6	7.5	3 x 125	3 x 18.8	1.3	85 x 245
MKP8/230D6	8	3 x 134	3 x 20.1	1.4	85 x 245
MKP10/230D6	10	3 x 167	3 x 25.1	1.7	110 x 245
MKP12.5/230D6	12.5	3 x 209	3 x 31.4	2.0	110 x 245

### Technical Data

Temperature category: **-40/D**

Discharge resistors: **50 V/1 min**

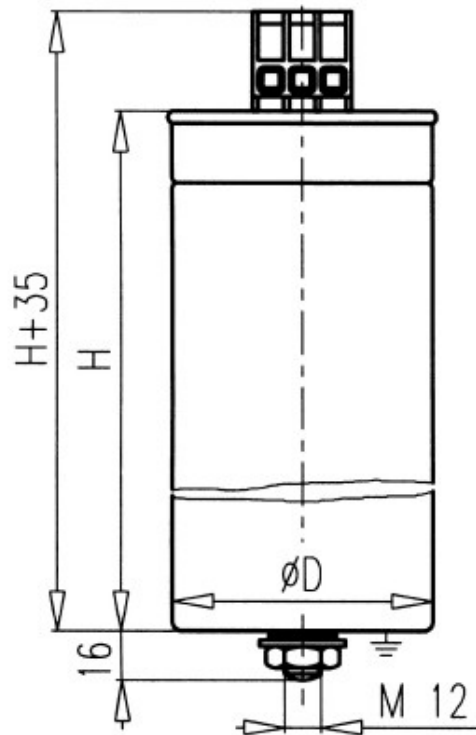
Insulation level: **3 / - kV**

Design: **SH— Dry type N<sub>2</sub>, non PCB**

Standard: **IEC 60831/96**

 **Cos Phi**

151 Richmond St. S.W. PO Box 519 Hensall, Ontario, N0M 1X0, Canada  
Ph: 519-262-2822, Fax: 519-262-2310, email: info@cosphi.com



## Three-phase capacitors: 480 V, 60 Hz, MKP

Type	Power kVAR	Capacitance ( $\mu$ F)	Current $I_n$ (A)	Weight (kg)	Dimensions D x H (mm)
MKP3/480D6	3	3 x 11.5	3 x 3.6	0.8	85 x 175
MKP5/480D6	5	3 x 19.2	3 x 6.0	0.9	85 x 175
MKP7.5/480D6	7.5	3 x 28.8	3 x 9.0	1.0	85 x 245
MKP10/480D6	10	3 x 38.4	3 x 12.0	1.0	85 x 245
MKP12.5/480D6	12.5	3 x 48.0	3 x 15.0	1.1	85 x 245
MKP15/480D6	15	3 x 57.6	3 x 18.1	1.2	85 x 245
MKP17.5/480D6	17.5	3 x 67.2	3 x 21.0	1.6	110 x 245
MKP18.5/480D6	18.5	3 x 71.0	3 x 22.3	1.7	110 x 245
MKP20/480D6	20	3 x 76.8	3 x 24.0	1.9	110 x 245
MKP25/480D6	25	3 x 95.9	3 x 30.1	2.1	110 x 245
MKP30/480D6	30	3 x 115	3 x 36.1	2.6	136 x 220

### Technical Data

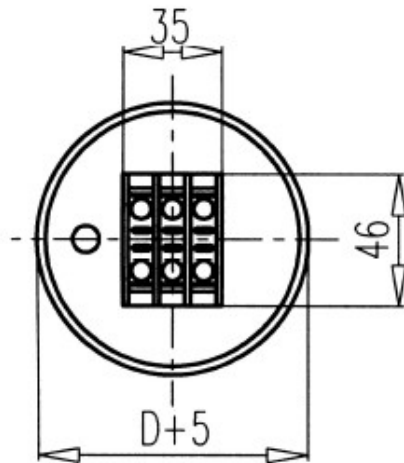
Temperature category: **-40/D**

Discharge resistors: **50 V/1 min**

Insulation level: **3 / - kV**

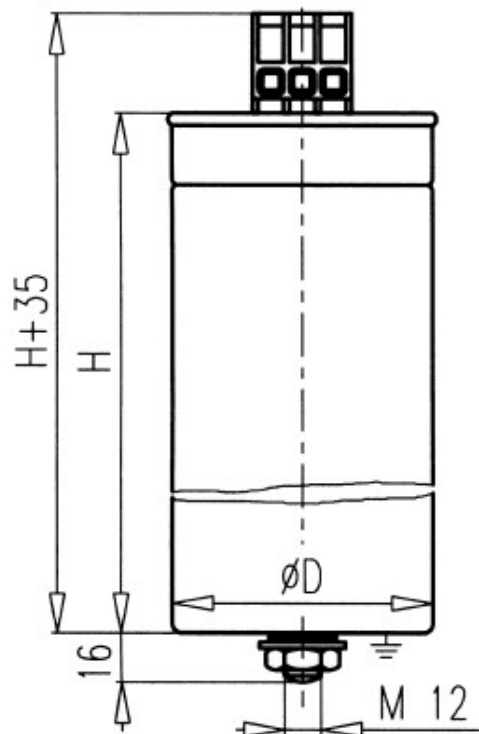
Design: **SH— Dry type N<sub>2r</sub>, non PCB**

Standard: **IEC 60831/96**



 **Cos Phi**

151 Richmond St. S.W. PO Box 519 Hensall, Ontario, N0M 1X0, Canada  
Ph: 519-262-2822, Fax: 519-262-2310, email: info@cosphi.com



## Three-phase capacitors: 600 V, 60 Hz, MKP

Type	Power kVAR	Capacitance ( $\mu$ F)	Current $I_n$ (A)	Weight (kg)	Dimensions D x H (mm)
MKP3/600D6	3	3 x 7.4	3 x 2.9	0.7	85 x 220
MKP5/600D6	5	3 x 12.3	3 x 4.8	0.9	85 x 220
MKP7.5/600D6	7.5	3 x 18.4	3 x 7.2	0.9	85 x 220
MKP10/600D6	10	3 x 24.6	3 x 9.6	1.1	85 x 245
MKP12.5/600D6	12.5	3 x 30.7	3 x 12.0	1.3	85 x 245
MKP15/600D6	15	3 x 36.9	3 x 14.4	1.7	110 x 245
MKP17.5/600D6	17.5	3 x 43.0	3 x 16.8	1.8	110 x 245
MKP20/600D6	20	3 x 49.1	3 x 19.2	1.9	110 x 245
MKP25/600D6	25	3 x 61.4	3 x 24.1	2.0	110 x 245
MKP30/600D6	30	3 x 73.7	3 x 28.9	2.9	136 x 220

### Technical Data

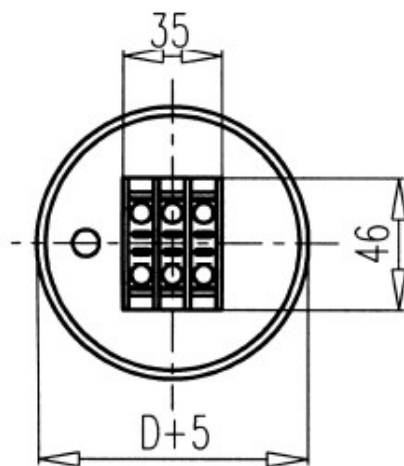
Temperature category: **-40/D**

Discharge resistors: **50 V/1 min**

Insulation level: **3 / - kV**

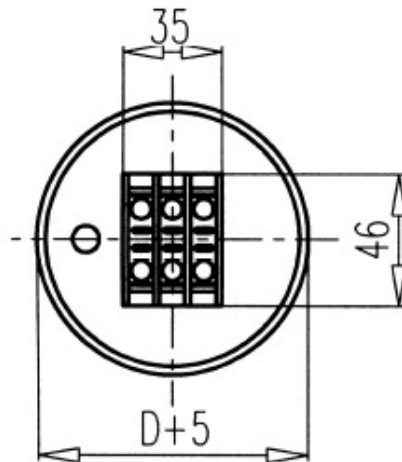
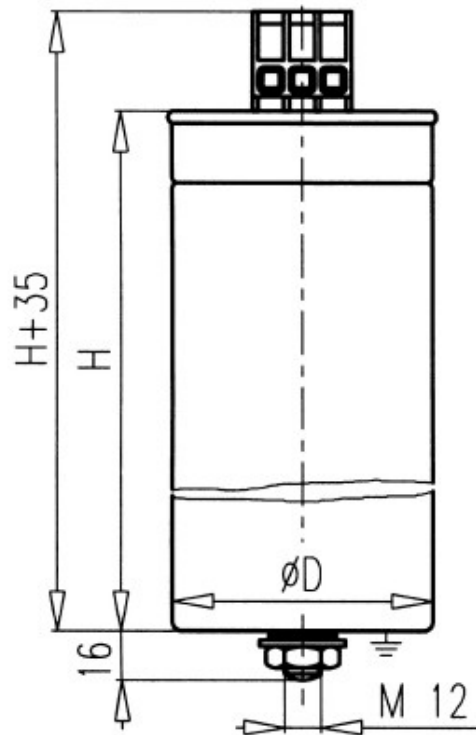
Design: **SH— Dry type N<sub>2r</sub>, non PCB**

Standard: **IEC 60831/96**



 **Cos Phi**

151 Richmond St. S.W. PO Box 519 Hensall, Ontario, N0M 1X0, Canada  
Ph: 519-262-2822, Fax: 519-262-2310, email: info@cosphi.com



## Three-phase capacitors: 690 V, 60 Hz, MKP

Type	Power kVAR	Capacitance ( $\mu$ F)	Current $I_n$ (A)	Weight (kg)	Dimensions D x H (mm)
MKP3/690D6	3	3 x 5.6	3 x 2.5	0.7	85 x 220
MKP5/690D6	5	3 x 9.3	3 x 4.2	0.8	85 x 220
MKP7.5/690D6	7.5	3 x 13.9	3 x 6.3	0.9	85 x 245
MKP10/690D6	10	3 x 18.6	3 x 8.4	1.0	85 x 245
MKP12.5/690D6	12.5	3 x 23.2	3 x 10.5	1.1	85 x 245
MKP15/690D6	15	3 x 27.9	3 x 12.6	1.2	85 x 245
MKP17.5/690D6	17.5	3 x 32.5	3 x 14.6	1.3	85 x 245
MKP20/690D6	20	3 x 37.2	3 x 16.7	1.8	110 x 245
MKP25/690D6	25	3 x 46.5	3 x 20.9	1.9	110 x 245
MKP30/690D6	30	3 x 55.7	3 x 25.1	2.9	136 x 220

### Technical Data

Temperature category: **-40/D**

Discharge resistors: **50 V/1 min**

Insulation level: **3.4 / - kV**

Design: **SH— Dry type N<sub>2r</sub>, non PCB**

Standard: **IEC 60831/96**

 **Cos Phi**

151 Richmond St. S.W. PO Box 519 Hensall, Ontario, N0M 1X0, Canada  
Ph: 519-262-2822, Fax: 519-262-2310, email: info@cosphi.com