

Get best-in-class performance with our RL Line/Load Reactors.

Our RL Line/Load Reactors are a robust, best-in-class filtering solution for virtually any 4 or 6-pulse rectifier or power conversion unit. There is no need to derate these reactors. They are harmonic compensated and protected to assure optimum performance in the presence of harmonics, and can help you meet IEEE-519 requirements. There are units available for a full line of currents (1A to 1,500A) and a full line of impedance options (1.5%, 3% and 5%).

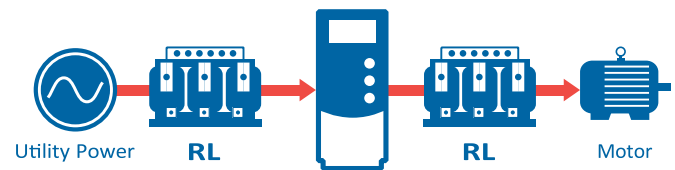


Robust design and construction for unequaled filtering of power line disturbances.

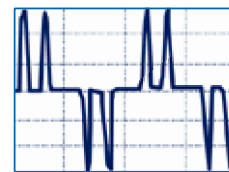
Highest continuous service factor virtually eliminates breakdowns in the field.

Reduces audible noise.

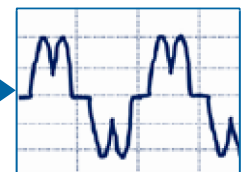
Multiple cabinet designs help meet NEMA 1/2 and 3R.



Input Reactor

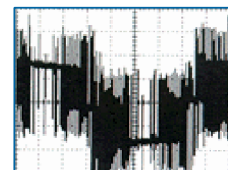


Waveform without reactor

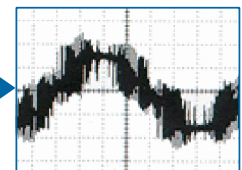


Waveform with reactor

Output Reactor



Waveform without reactor



Waveform with reactor

Performance Specifications	
Impedance Levels	1.5%, 3% and 5%
Continuous Service Factor	Reactors rated 1 to 750 Amps - 150% of rating Reactors rated above 750 Amps - 125% of rating
Overload Rating	200% of rated for 30 minutes 300% of rated for 1 minute
Input Voltage Range	208V - 690V
Current Range	1A - 1,500A
Temperature Rise	135°C
Ambient Temperature	-40°C to 50°C
Altitude Maximum Without Derating	1,000 meters
Fundamental Frequency	50/60 Hz
Inductance Curve	100% at 100% Current 100% at 150% Current 50% at 350% Current

Note: Final product specifications subject to change at anytime.

Altitude Derating Curve

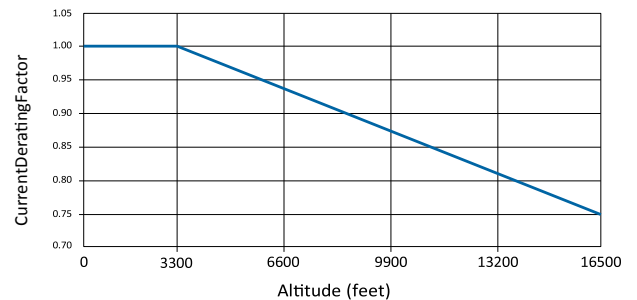


FIGURE 1

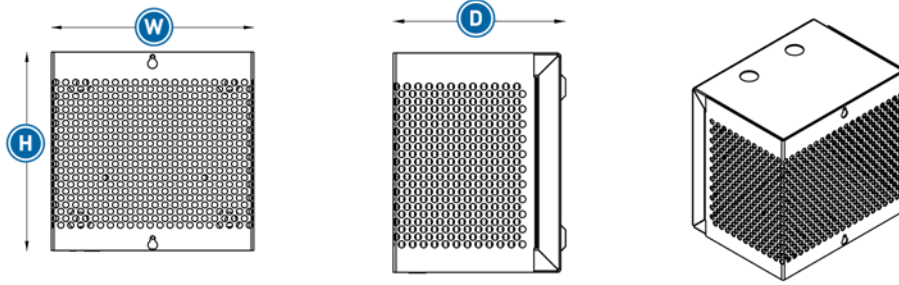
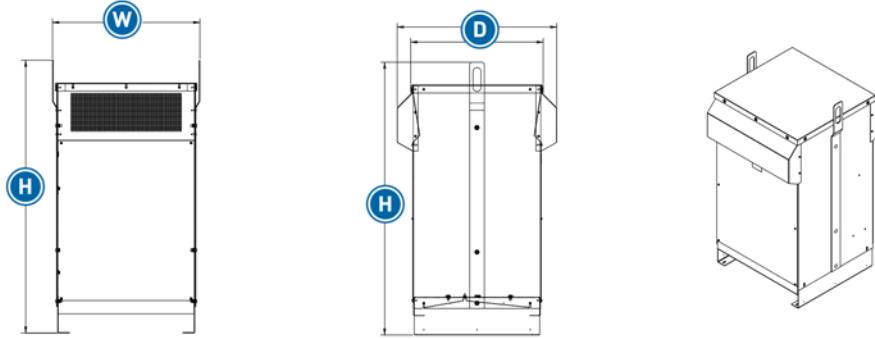
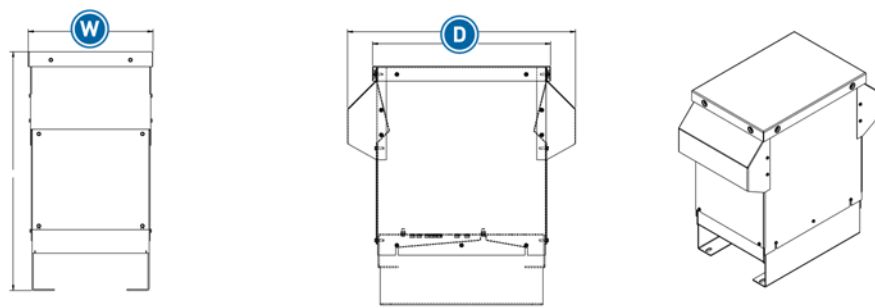


FIGURE 2



NOTE: HOODS ONLY ON NEMA 3R ENCLOSURES

FIGURE 3



NOTE: HOODS ONLY ON NEMA 3R ENCLOSURES

FIGURE 4

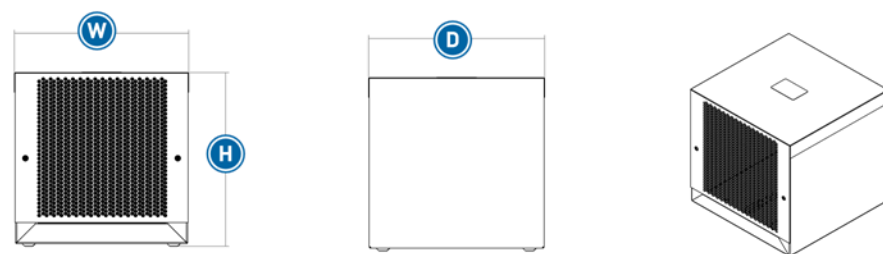
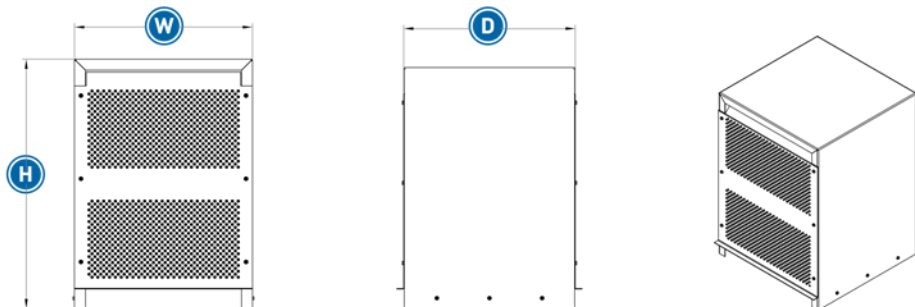


FIGURE 5



Line/Load Reactor Selection Tables



Input Voltage & Hz	% Impedance	0.25 HP 0.18 kw	0.33 HP 0.25 kw	0.5 HP 0.37 kw	0.75 HP 0.55 kw	1.0 HP 0.75 kw	1.5 HP 1.1 kw	2.0 HP 1.5 kw	3.0 HP 2.2 kw	5.0 HP 3.7 kw	7.5 HP 5.5 kw	10.0 HP 7.5 kw	15.0 HP 11.0 kw	20.0 HP 15.0 kw	25.0 HP 18.5 kw	30.0 HP 22.0 kw
Three Phase Input or Output Applications Selected by Motor																
208V 60 Hz	3%	RL-00204	RL-00204	RL-00401	RL-00401	RL-00802	RL-00801	RL-00801	RL-01801	RL-03501	RL-03501	RL-05501	RL-05501	RL-08001	RL-10001	RL-13001
208V 60 Hz	5%	RL-00201	RL-00201	RL-00402	RL-00402	RL-00802	RL-00802	RL-00801	RL-01802	RL-03502	RL-03502	RL-03501	RL-05501	RL-08001	RL-08001	RL-10001
240V 60 Hz	3%	RL-00201	RL-00204	RL-00204	RL-00401	RL-00401	RL-00801	RL-00801	RL-01201	RL-01801	RL-02501	RL-03501	RL-04501	RL-05501	RL-08001	RL-10001
240V 60 Hz	5%	RL-00202	RL-00201	RL-00201	RL-00402	RL-00402	RL-00802	RL-00802	RL-01202	RL-01802	RL-03502	RL-03502	RL-05502	RL-08002	RL-08001	RL-10002
400V 50 Hz	3%	RL-00103	RL-00103	RL-00202	RL-00202	RL-00201	RL-00403	RL-00402	RL-00803	RL-00802	RL-01202	RL-01802	RL-02502	RL-03502	RL-04502	RL-04502
400V 50 Hz	5%	RL-00102	RL-00102	RL-00203	RL-00203	RL-00202	RL-00404	RL-00403	RL-00804	RL-00803	RL-01203	RL-01803	RL-02503	RL-03503	RL-04503	RL-04503
480V 60 Hz	3%	RL-00103	RL-00103	RL-00104	RL-00201	RL-00201	RL-00201	RL-00402	RL-00803	RL-00802	RL-01202	RL-01802	RL-02502	RL-03502	RL-03502	RL-04502
480V 60 Hz	5%	RL-00102	RL-00102	RL-00103	RL-00202	RL-00202	RL-00202	RL-00403	RL-00804	RL-00803	RL-01203	RL-01803	RL-02503	RL-03503	RL-03503	RL-04503
600V 60 Hz	3%	RL-00102	RL-00102	RL-00103	RL-00202	RL-00202	RL-00202	RL-00403	RL-00403	RL-00803	RL-01202	RL-01202	RL-01802	RL-02502	RL-02502	RL-03502
600V 60 Hz	5%	RL-00101	RL-00101	RL-00102	RL-00203	RL-00403	RL-00203	RL-00404	RL-00404	RL-00804	RL-01203	RL-01203	RL-01803	RL-02503	RL-02503	RL-03503
690V 50 Hz	2%	-	-	-	-	-	-	-	RL-00403	RL-00402	RL-00401	RL-00802	RL-01202	RL-01802	RL-01802	RL-02502
690V 50 Hz	3%	-	-	-	-	-	-	-	RL-00402	RL-00403	RL-00401	RL-00803	RL-01203	RL-01803	RL-01803	RL-02503
Single Phase Input Applications																
120V 60 Hz	5%	RL-00801	RL-01201	RL-01801	RL-02501	RL-02501	RL-03503	RL-03501	RL-05501	RL-10001	RL-13001	RL-13001	-	-	-	-
208V 60 Hz	5%	RL-00401	RL-00401	RL-00401	RL-01202	RL-00801	RL-01201	RL-02502	RL-03502	RL-03501	RL-04501	RL-05501	RL-08001	RL-13001	RL-13001	RL-16001
240V 60 Hz	5%	RL-00402	RL-00401	RL-00803	RL-00802	RL-01202	RL-01201	RL-01201	RL-01801	RL-04502	RL-08002	RL-08002	RL-08001	RL-10001	RL-16002	RL-20002B14
240V 50 Hz	5%	RL-00403	RL-00402	RL-00803	RL-00802	RL-01202	RL-01201	RL-01201	RL-01801	RL-04502	RL-08002	RL-08002	RL-08001	RL-10001	RL-16002	RL-20002B14
400V 50 Hz	5%	RL-00103	RL-00202	RL-00201	RL-00201	RL-00403	RL-00402	RL-00803	RL-01203	RL-01803	RL-02503	RL-03503	RL-04502	RL-05502	RL-08002	RL-08002
480V 60 Hz	5%	RL-00202	RL-00202	RL-00202	RL-00404	RL-00403	RL-00402	RL-00803	RL-01203	RL-01803	RL-02503	RL-02502	RL-05503	RL-08003	RL-08003	RL-08003
600V 60 Hz	5%	RL-00102	RL-00103	RL-00202	RL-00202	RL-00404	RL-00403	RL-00403	RL-00803	RL-01203	RL-01803	RL-02503	RL-03503	RL-04503	RL-05503	RL-08003

Impedance Rating:

3% impedance reactors are typically sufficient to absorb power line spikes and motor current surges. They will prevent nuisance tripping of drives or circuit breakers in most applications.

5% impedance reactors are best for reducing harmonic currents and frequencies. Use them when you must reduce VFD drive generated harmonics, and to reduce motor operating temperature, or to reduce motor noise.

*The effective impedance of the reactor changes with actual RMS current. A 5% impedance reactor becomes 3% if its current is reduced to 60%.

Line/Load Reactor Selection Tables



40.0 HP 30.0 kw	50.0 HP 37.5 kw	60.0 HP 45.0 kw	75.0 HP 55.0 kw	100.0 HP 75.0 kw	125.0 HP 93.0 kw	150.0 HP 112.0 kw	200.0 HP 150.0 kw	250.0 HP 187.0 kw	300.0 HP 225.0 kw	350.0 HP 262.0 kw	400.0 HP 300.0 kw	500.0 HP 375.0 kw	600.0 HP 450.0 kw	700.0 HP 550.0 kw	800.0 HP 600.0 kw
Three Phase Input or Output Applications Selected by Motor															
RL-13001	RL-16001	RL-20001B14	RL-25001B14	RL-32001B14	RL-50001B14	RL-50001B14	RL-60001	RL-75001	RL-85001B14	RL-100001B14	RL-120001B14	RL-140001	-	-	-
RL-13001	RL-16001	RL-20002B14	RL-25002B14	RL-32001B14	RL-50002	RL-60002	RL-60001	RL-75002	RL-85001B14	RL-100002B14	RL-120002B14	RL-140001	-	-	-
RL-13001	RL-13001	RL-16001	RL-20001B14	RL-25001B14	RL-32001B14	RL-40001B14	RL-50001B14	RL-60001	RL-75001	RL-85001B14	RL-100001B14	RL-120001B14	-	-	-
RL-13002	RL-13001	RL-16002	RL-20002B14	RL-25002B14	RL-32002B14	RL-40002B14	RL-50002	RL-60002	RL-75002	RL-85002B14	RL-100002B14	RL-120002B14	-	-	-
RL-05502	RL-08002	RL-10002	RL-13002	RL-16002	RL-20002B14	RL-25002B14	RL-32002B14	RL-40002B14	RL-40002B14	RL-50002	RL-60002	RL-75002	RL-02B14	RL-100002B14	RL-120002B14
RL-05503	RL-08003	RL-10003	RL-13003	RL-16003	RL-20003B14	RL-25003B14	RL-32003B14	RL-40003B14	RL-40003B14	RL-50003	RL-60003	RL-75003	RL-03B14	RL-100003B14	RL-120003B14
RL-05502	RL-08002	RL-08002	RL-10002	RL-13002	RL-16002	RL-20002B14	RL-25002B14	RL-32002B14	RL-40002B14	RL-50002	RL-50002	RL-60002	RL-75002	RL-85002B14	RL-100002B14
RL-05503	RL-08003	RL-08003	RL-10003	RL-13003	RL-16003	RL-20003B14	RL-25003B14	RL-32003B14	RL-40003B14	RL-50003	RL-50003	RL-60003	RL-75003	RL-85003B14	RL-100003B14
RL-04502	RL-05502	RL-08002	RL-08002	RL-10002	RL-13002	RL-16002	RL-20002B14	RL-25002B14	RL-32002B14	RL-40002B14	RL-40002B14	RL-50002	RL-60002	RL-75002	RL-85002B14
RL-04503	RL-05503	RL-08003	RL-08003	RL-10003	RL-13003	RL-16003	RL-20003B14	RL-25003B14	RL-32003B14	RL-40003B14	RL-40003B14	RL-50003	RL-60003	RL-75003	RL-85003B14
RL-02501	RL-03501	RL-04502	RL-05502	RL-08002	RL-08002	RL-10002	RL-13002	RL-13002	RL-16002	RL-20002B14	RL-25002B14	RL-32002B14	RL-40002B14	RL-40002B14	RL-50002
RL-02503	RL-03503	RL-04503	RL-05503	RL-08003	RL-08002	RL-10003	RL-13003	RL-13003	RL-16003	RL-20003B14	RL-25003B14	RL-32003B14	RL-40003B14	RL-40003B14	RL-50003
Single Phase Input Applications															
-	-	-	-	-	-	-	-	-	-	-	-	-	-	-	-
RL-20001B14	RL-25001B14	RL-32001B14	RL-40001B14	RL-50001B14	-	-	-	-	-	-	-	-	-	-	-
RL-25002B14	RL-32002B14	RL-40002B14	RL-50002	RL-60002	-	-	-	-	-	-	-	-	-	-	-
RL-25002B14	RL-32002B14	RL-40002B14	RL-50002	RL-60002	-	-	-	-	-	-	-	-	-	-	-
RL-10002	RL-13003	RL-16003	RL-20003B14	RL-25003B14	-	-	-	-	-	-	-	-	-	-	-
RL-10002	RL-13003	RL-16003	RL-20003B14	RL-25003B14	RL-32003B14	RL-40003B14	RL-50003	-	-	-	-	-	-	-	-
RL-08002	RL-10003	RL-13003	RL-16003	RL-20003B14	RL-25003B14	RL-25003B14	RL-40003B14	-	-	-	-	-	-	-	-

Impedance Rating:

3% impedance reactors are typically sufficient to absorb power line spikes and motor current surges. They will prevent nuisance tripping of drives or circuit breakers in most applications.

5% impedance reactors are best for reducing harmonic currents and frequencies. Use them when you must reduce VFD drive generated harmonics, and to reduce motor operating temperature, or to reduce motor noise.

*The effective impedance of the reactor changes with actual RMS current. A 5% impedance reactor becomes 3% if its current is reduced to 60%.

Line/Load Reactor Selection Tables



Open					
Open Part Number	Amps Rating	Inductance mh	Watts Loss	Open Weight (lbs)	Size (in) (H x W x D)
RL-00101	1	100	13.5	2.2	3.5 x 3.8 x 1.2
RL-00102	1	50	12.8	2.1	3.5 x 3.8 x 1.2
RL-00103	1	36	11.9	2.1	3.5 x 3.8 x 1.2
RL-00104	1	18	9.6	2	3.5 x 3.8 x 1.2
RL-00201	2	12	7.5	4	4.1 x 4.4 x 2.8
RL-00202	2	20	11.3	4	4.1 x 4.4 x 2.8
RL-00203	2	32	16	4	4.1 x 4.4 x 2.8
RL-00204	2	6	10.7	3	4.1 x 4.4 x 2.5
RL-00401	4	3	14.5	4	4.1 x 4.4 x 2.8
RL-00402	4	6.5	20	4	4.1 x 4.4 x 2.8
RL-00403	4	9	20	5	4.1 x 4.4 x 3.4
RL-00404	4	12	21	6	4.1 x 4.4 x 3.4
RL-00801	8	1.5	19.5	7	4.8 x 6 x 3
RL-00802	8	3	29	8	4.8 x 6 x 3
RL-00803	8	5	25.3	11	4.8 x 6 x 3.4
RL-00804	8	7.5	28	13	4.8 x 6 x 3.4
RL-01201	12	1.3	26	9	5 x 6 x 3.3
RL-01202	12	2.5	31	10	5 x 6 x 3.3
RL-01203	12	4.2	41	18	5 x 6 x 3.9
RL-01801	18	0.8	36	9	5.3 x 6 x 3.2
RL-01802	18	1.5	43	12	5.3 x 6 x 3.5
RL-01803	18	2.5	43	16	6.1 x 8.1 x 4
RL-02501	25	0.5	48	11	5.8 x 7.2 x 3.5
RL-02502	25	1.2	52	14	5.8 x 7.2 x 3.5
RL-02503	25	1.8	61	20	5.8 x 7.2 x 4.3
RL-03501	35	0.4	49	14	5.8 x 7.2 x 4
RL-03502	35	0.8	54	16	5.8 x 7.2 x 4
RL-03503	35	1.2	54	30	7.4 x 9 x 4.7
RL-04501	45	0.3	54	23	7.4 x 9 x 4.7
RL-04502	45	0.7	62	28	7.4 x 9 x 4.7
RL-04503	45	1.2	65	39	7.3 x 9 x 5.3
RL-05501	55	0.3	64	24	7.3 x 9 x 5.3
RL-05502	55	0.5	67	27	7 x 9 x 5.3
RL-05503	55	0.9	71	41	7 x 9 x 6
RL-08001	80	0.2	82	25	7.2 x 9 x 6.3
RL-08002	80	0.4	86	33	7.2 x 9 x 6.5
RL-08003	80	0.7	96	61	8.5 x 10.8 x 6.8
RL-10001	100	0.2	94	29	7.3 x 9 x 6.5
RL-10002	100	0.3	84	37	7.3 x 9 x 6.8
RL-10003	100	0.5	108	74	8.25 x 10.8 x 6.16
RL-13001	130	0.1	108	29	7 x 9 x 4.66
RL-13002	130	0.2	180	43	7.2 x 9 x 6.8
RL-13003	130	0.3	128	64	8.5 x 11 x 6.16

Open					
Open Part Number	Amps Rating	Inductance mh	Watts Loss	Open Weight (lbs)	Size (in) (H x W x D)
RL-16001	160	0.1	116	41	7.2 x 9 x 6.8
RL-16002	160	0.2	149	51	8.3 x 10.8 x 6
RL-16003	160	0.2	138	72	8.5 x 11.5 x 9
RL-20001B14	200	0.1	124	38	7.5 x 9 x 7.3
RL-20002B14	200	0.1	168	54	7.5 x 9 x 8.3
RL-20003B14	200	0.2	146	100	8.3 x 10.8 x 10
RL-25001B14	250	0	154	47	7.5 x 9 x 9
RL-25002B14	250	0.1	231	80	8.5 x 10.8 x 9
RL-25003B14	250	0.2	219	125	11.2 x 14.4 x 10.3
RL-32001B14	320	0	224	80	9 x 10.8 x 8.3
RL-32002B14	320	0.1	264	102	9 x 10.8 x 10
RL-32003B14	320	0.1	351	160	11.25 x 14.4 x 10.5
RL-40001B14	400	0	231	84	10 x 10.8 x 10
RL-40002B14	400	0.1	333	118	11.25 x 15 x 11.5
RL-40003B14	400	0.1	293	149	11.25 x 14.4 x 12.5
RL-50001B14	500	0	266	93	9 x 10.8 x 10.5
RL-50002	500	0.1	340	118	11.5 x 14.4 x 11.5
RL-50003	500	0.1	422	210	11.5 x 14.4 x 13.3
RL-60001	600	0	307	120	11.5 x 14.4 x 10
RL-60002	600	0	414	175	11.25 x 14.4 x 12
RL-60003	600	0.1	406	270	11.25 x 14.4 x 15
RL-75001	750	0	427	140	11.5 x 14.4 x 11
RL-75002	750	0	630	190	11.5 x 14.4 x 12.5
RL-75003	750	0	552	265	14.5 x 14.4 x 14
RL-85001B14	850	0	798	195	15.5 x 17.8 x 14.5
RL-85002B14	850	0	930	215	15.5 x 17.8 x 15.5
RL-85003B14	850	0	1133	315	15.5 x 17.8 x 17.5
RL-90001B14	900	0	860	200	16.8 x 17.8 x 13
RL-90002B14	900	0	1020	215	15.5 x 17.8 x 15.5
RL-90003B14	900	0	1365	315	15.8 x 17.8 x 17.1
RL-100001B14	1000	0	940	144	14.5 x 17.8 x 12.7
RL-100002B14	1000	0	1090	215	15.5 x 17.8 x 15.5
RL-100003B14	1000	0	1500	315	15.8 x 17.8 x 17.5
RL-120001B14	1200	0	980	195	15.5 x 17.8 x 14.5
RL-120002B14	1200	0	1130	275	15.5 x 17.8 x 17.8
RL-120003B14	1200	0	1550	390	15.4 x 17.4 x 18.3
RL-140001	1400	0		500	17 x 22 x 22
RL-140002	1400	0	1523	525	17 x 19 x 19
RL-140003	1400	0	1680	850	17 x 22 x 22
RL-150001	1500	0	1432	635	17 x 22 x 22
RL-150002	1500	0	1671	675	17 x 16.9 x 16
RL-150003	1500	0	1815	900	17 x 22 x 22

Note: Weights and dimensions are for reference only. Please visit mtecorp.com for detailed information.

Line/Load Reactor Selection Tables - w/Enclosure NEMA 1/2



Part #	Weight (lbs)	Cabinet	Size (In) H x W x D	Ref Fig.
RL-00111	9	CAB-8	8 x 8 x 6	1
RL-00112	9	CAB-8	8 x 8 x 6	1
RL-00113	9	CAB-8	8 x 8 x 6	1
RL-00114	9	CAB-8	8 x 8 x 6	1
RL-00211	11	CAB-8	8 x 8 x 6	1
RL-00212	11	CAB-8	8 x 8 x 6	1
RL-00213	11	CAB-8	8 x 8 x 6	1
RL-00214	10	CAB-8	8 x 8 x 6	1
RL-00411	11	CAB-8	8 x 8 x 6	1
RL-00412	11	CAB-8	8 x 8 x 6	1
RL-00413	12	CAB-8	8 x 8 x 6	1
RL-00414	13	CAB-8	8 x 8 x 6	1
RL-00811	14	CAB-8	8 x 8 x 6	1
RL-00812	15	CAB-8	8 x 8 x 6	1
RL-00813	18	CAB-8	8 x 8 x 6	1
RL-00814	20	CAB-8	8 x 8 x 6	1
RL-01211	16	CAB-8	8 x 8 x 6	1
RL-01212	17	CAB-8	8 x 8 x 6	1
RL-01213	25	CAB-8	8 x 8 x 6	1
RL-01811	16	CAB-8	8 x 8 x 6	1
RL-01812	19	CAB-8	8 x 8 x 6	1
RL-01813	34	CAB-13V	13 x 13 x 13	4
RL-02511	29	CAB-13V	13 x 13 x 13	4
RL-02512	32	CAB-13V	13 x 13 x 13	4
RL-02513	38	CAB-13V	13 x 13 x 13	4
RL-03511	32	CAB-13V	13 x 13 x 13	4
RL-03512	34	CAB-13V	13 x 13 x 13	4
RL-03513	48	CAB-13V	13 x 13 x 13	4
RL-04511	41	CAB-13V	13 x 13 x 13	4
RL-04512	46	CAB-13V	13 x 13 x 13	4
RL-04513	57	CAB-13V	13 x 13 x 13	4
RL-05511	42	CAB-13V	13 x 13 x 13	4
RL-05512	45	CAB-13V	13 x 13 x 13	4
RL-05513	5	CAB-13V	13 x 13 x 13	4
RL-08011	43	CAB-13V	13 x 13 x 13	4
RL-08012	51	CAB-13V	13 x 13 x 13	4
RL-08013	79	CAB-13V	13 x 13 x 13	4
RL-10011	47	CAB-13V	13 x 13 x 13	4
RL-10012	55	CAB-13V	13 x 13 x 13	4
RL-10013	92	CAB-13V	13 x 13 x 13	4
RL-13011	47	CAB-13V	13 x 13 x 13	4
RL-13012	61	CAB-13V	13 x 13 x 13	4
RL-13011	82	CAB-13V	13 x 13 x 13	4
RL-16011	59	CAB-13V	13 x 13 x 13	4

Part #	Weight (lbs)	Cabinet	Size (In) H x W x D	Ref Fig.
RL-16012	69	CAB-13V	13 x 13 x 13	4
RL-16013	90	CAB-13V	13 x 13 x 13	4
RL-16011	59	CAB-13V	13 x 13 x 13	4
RL-16012	69	CAB-13V	13 x 13 x 13	4
RL-16013	90	CAB-13V	13 x 13 x 13	4
RL-20011B14	56	CAB-13V	13 x 13 x 13	4
RL-20012B14	72	CAB-13V	13 x 13 x 13	4
RL-20013B14	118	CAB-13V	13 x 13 x 13	4
RL-25011B14	65	CAB-13V	13 x 13 x 13	4
RL-25012B14	104	CAB-17V	24 x 17 x 18.4	5
RL-25013B14	149	CAB-17V	24 x 17 x 18.4	5
RL-32011B14	104	CAB-17V	24 x 17 x 18.4	5
RL-32012B14	126	CAB-17V	24 x 17 x 18.4	5
RL-32013B14	184	CAB-17V	24 x 17 x 18.4	5
RL-40011B14	108	CAB-17V	24 x 17 x 18.4	5
RL-40012B14	142	CAB-17V	24 x 17 x 18.4	5
RL-40013B14	173	CAB-17V	24 x 17 x 18.4	5
RL-50011B14	117	CAB-17V	24 x 17 x 18.4	5
RL-50012	262	CAB-26C	47 x 27 x 25	3
RL-50013	354	CAB-26C	47 x 27 x 25	3
RL-60011	264	CAB-26C	47 x 27 x 25	3
RL-60012	319	CAB-26C	47 x 27 x 25	3
RL-60013	414	CAB-26C	47 x 27 x 25	3
RL-75011	284	CAB-26C	47 x 27 x 25	3
RL-75012	334	CAB-26C	47 x 27 x 25	3
RL-75013	409	CAB-26C	47 x 27 x 25	3
RL-85011B14	339	CAB-26C	47 x 27 x 25	3
RL-85012B14	359	CAB-26C	47 x 27 x 25	3
RL-85013B14	535	CAB-26D	72 x 26.5 x 25	3
RL-90011B14	420	CAB-26D	72 x 26.5 x 25	3
RL-90012B14	435	CAB-26D	72 x 26.5 x 25	3
RL-90013B14	535	CAB-26D	72 x 26.5 x 25	3
RL-100011B14	364	CAB-26D	72 x 26.5 x 25	3
RL-100012B14	435	CAB-26D	72 x 26.5 x 25	3
RL-100013B14	535	CAB-26D	72 x 26.5 x 25	3
RL-120011B14	415	CAB-26D	72 x 26.5 x 25	3
RL-120012B14	495	CAB-26D	72 x 26.5 x 25	3
RL-120013B14	610	CAB-26D	72 x 26.5 x 25	3
RL-140011B14	803	CAB-42C	60 x 42.6 x 31	3
RL-140012B14	828	CAB-42C	60 x 42.6 x 31	3
RL-140013B14	1153	CAB-42C	60 x 42.6 x 31	3
RL-150011B14	938	CAB-42C	60 x 42.6 x 31	3
RL-150012B14	978	CAB-42C	60 x 42.6 x 31	3
RL-150013B14	1203	CAB-42C	60 x 42.6 x 31	3

Line/Load Reactor Selection Tables - w/Enclosure NEMA 3R



Part #	Weight (lbs)	Cabinet	Size (In) H x W x D	Ref Fig.
RL-00131	9	CAB-8	8 x 8 x 6	1
RL-00132	9	CAB-8	8 x 8 x 6	1
RL-00133	9	CAB-8	8 x 8 x 6	1
RL-00134	9	CAB-8	8 x 8 x 6	1
RL-00231	11	CAB-8	8 x 8 x 6	1
RL-00232	11	CAB-8	8 x 8 x 6	1
RL-00233	11	CAB-8	8 x 8 x 6	1
RL-00234	10	CAB-8	8 x 8 x 6	1
RL-00431	11	CAB-8	8 x 8 x 6	1
RL-00432	11	CAB-8	8 x 8 x 6	1
RL-00433	12	CAB-8	8 x 8 x 6	1
RL-00434	13	CAB-8	8 x 8 x 6	1
RL-00831	14	CAB-8	8 x 8 x 6	1
RL-00832	15	CAB-8	8 x 8 x 6	1
RL-00833	18	CAB-8	8 x 8 x 6	1
RL-00834	20	CAB-8	8 x 8 x 6	1
RL-01231	16	CAB-8	8 x 8 x 6	1
RL-01232	17	CAB-8	8 x 8 x 6	1
RL-01233	25	CAB-8	8 x 8 x 6	1
RL-01831	16	CAB-8	8 x 8 x 6	1
RL-01832	19	CAB-8	8 x 8 x 6	1
RL-01833	34	CAB-13V	13 x 13 x 13	4
RL-02531	29	CAB-13V	13 x 13 x 13	4
RL-02532	32	CAB-13V	13 x 13 x 13	4
RL-02533	38	CAB-13V	13 x 13 x 13	4
RL-03531	32	CAB-13V	13 x 13 x 13	4
RL-03532	34	CAB-13V	13 x 13 x 13	4
RL-03533	48	CAB-13V	13 x 13 x 13	4
RL-04531	41	CAB-13V	13 x 13 x 13	4
RL-04532	46	CAB-13V	13 x 13 x 13	4
RL-04533	57	CAB-13V	13 x 13 x 13	4
RL-05531	42	CAB-13V	13 x 13 x 13	4
RL-05532	45	CAB-13V	13 x 13 x 13	4
RL-05533	5	CAB-13V	13 x 13 x 13	4
RL-08031	43	CAB-13V	13 x 13 x 13	4
RL-08032	51	CAB-13V	13 x 13 x 13	4
RL-08033	79	CAB-13V	13 x 13 x 13	4
RL-10031	47	CAB-13V	13 x 13 x 13	4
RL-10032	55	CAB-13V	13 x 13 x 13	4
RL-10033	92	CAB-13V	13 x 13 x 13	4
RL-13031	47	CAB-13V	13 x 13 x 13	4
RL-13032	61	CAB-13V	13 x 13 x 13	4
RL-13031	82	CAB-13V	13 x 13 x 13	4
RL-16031	59	CAB-13V	13 x 13 x 13	4

Part #	Weight (lbs)	Cabinet	Size (In) H x W x D	Ref Fig.
RL-16032	69	CAB-13V	13 x 13 x 13	4
RL-16033	90	CAB-13V	13 x 13 x 13	4
RL-16031	59	CAB-13V	13 x 13 x 13	4
RL-16032	69	CAB-13V	13 x 13 x 13	4
RL-16033	90	CAB-13V	13 x 13 x 13	4
RL-20011B34	56	CAB-13V	13 x 13 x 13	4
RL-20012B34	72	CAB-13V	13 x 13 x 13	4
RL-20013B34	118	CAB-13V	13 x 13 x 13	4
RL-25011B34	65	CAB-13V	13 x 13 x 13	4
RL-25012B34	104	CAB-17V	24 x 17 x 18.4	5
RL-25013B34	149	CAB-17V	24 x 17 x 18.4	5
RL-32011B34	104	CAB-17V	24 x 17 x 18.4	5
RL-32012B34	126	CAB-17V	24 x 17 x 18.4	5
RL-32013B34	184	CAB-17V	24 x 17 x 18.4	5
RL-40011B34	108	CAB-17V	24 x 17 x 18.4	5
RL-40012B34	142	CAB-17V	24 x 17 x 18.4	5
RL-40013B34	173	CAB-17V	24 x 17 x 18.4	5
RL-50011B34	117	CAB-17V	24 x 17 x 18.4	5
RL-50032	262	CAB-26C	47 x 27 x 25	3
RL-50033	354	CAB-26C	47 x 27 x 25	3
RL-60031	264	CAB-26C	47 x 27 x 25	3
RL-60032	319	CAB-26C	47 x 27 x 25	3
RL-60033	414	CAB-26C	47 x 27 x 25	3
RL-75031	284	CAB-26C	47 x 27 x 25	3
RL-75032	334	CAB-26C	47 x 27 x 25	3
RL-75033	409	CAB-26C	47 x 27 x 25	3
RL-85011B34	339	CAB-26C	47 x 27 x 25	3
RL-85012B34	359	CAB-26C	47 x 27 x 25	3
RL-85013B34	535	CAB-26D	72 x 26.5 x 25	3
RL-90011B34	420	CAB-26D	72 x 26.5 x 25	3
RL-90012B34	435	CAB-26D	72 x 26.5 x 25	3
RL-90013B34	535	CAB-26D	72 x 26.5 x 25	3
RL-100011B34	364	CAB-26D	72 x 26.5 x 25	3
RL-100012B34	435	CAB-26D	72 x 26.5 x 25	3
RL-100013B34	535	CAB-26D	72 x 26.5 x 25	3
RL-120011B34	415	CAB-26D	72 x 26.5 x 25	3
RL-120012B34	495	CAB-26D	72 x 26.5 x 25	3
RL-120013B34	610	CAB-26D	72 x 26.5 x 25	3
RL-140011B34	803	CAB-42C	60 x 42.6 x 31	3
RL-140012B34	828	CAB-42C	60 x 42.6 x 31	3
RL-140013B34	1153	CAB-42C	60 x 42.6 x 31	3
RL-150011B34	938	CAB-42C	60 x 42.6 x 31	3
RL-150012B34	978	CAB-42C	60 x 42.6 x 31	3
RL-150013B34	1203	CAB-42C	60 x 42.6 x 31	3